

Symaro™

## Duct Temperature Sensors QAM21...

Passive sensors for acquiring the air temperature in air ducts.

### Use

The duct temperature sensors are for use in ventilation and air conditioning plants as:

- Supply or extract air temperature sensors
- Limit sensors, e.g. for minimum limitation of the supply air temperature
- Reference sensors, e.g. for shifting the room temperature as a function of the outside temperature
- Measuring sensors, e.g. for measured value indication or for connection to a building automation and control system

### Type summary

Type reference	Probe length	Mounting clamps	Sensing element
<b>QAM2110.040</b>	0,4 m	keine	Pt 100
<b>QAM2112.040</b>	0,4 m	keine	Pt 1000
<b>QAM2112.200</b>	2,0 m	4 Stück	Pt 1000
<b>QAM2120.040</b>	0,4 m	keine	LG-Ni 1000
<b>QAM2120.200</b>	2,0 m	4 Stück	LG-Ni 1000
<b>QAM2120.600</b>	6,0 m	6 Stück	LG-Ni 1000
<b>QAM2130.040</b>	0,4 m	keine	NTC 10k
<b>QAM2140.020</b>	0,2 m	keine	T1 (PTC)

**Accessories**  
(Spare parts)

Name	Type reference
Capillary tube clamp for the QAM2120.200 and QAM2120.600 (6 pieces)	<b>AQM63.3</b>
Mounting flange	<b>AQM63.0</b>

**Ordering and delivery**

When ordering, please give name and type reference, e.g.:

Duct temperature sensor **QAM2120.040**

The sensor is supplied complete with mounting flange AQM63.0 and, if required, mounting clamps AQM63.3.

**Equipment combinations**

All systems or devices capable of acquiring and handling the sensor's passive output signal.

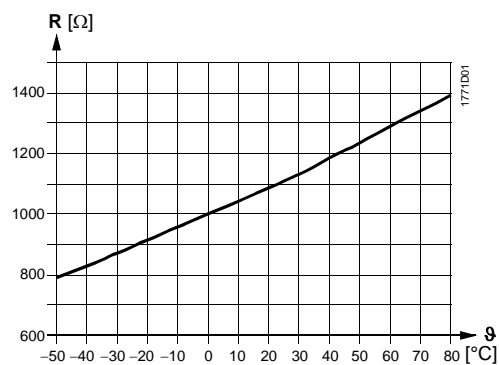
**Function**

The sensor acquires the air temperature via its sensing element whose resistance changes as a function of the temperature. The signal is delivered to a suitable controller for further handling.

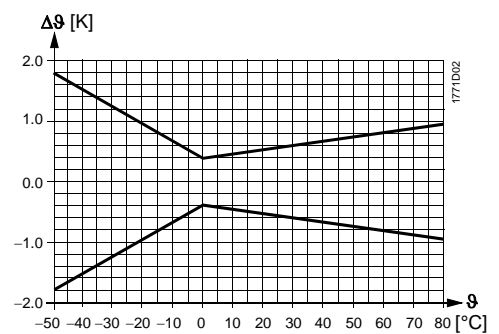
**Sensing elements**

LG-Ni 1000

Characteristic:

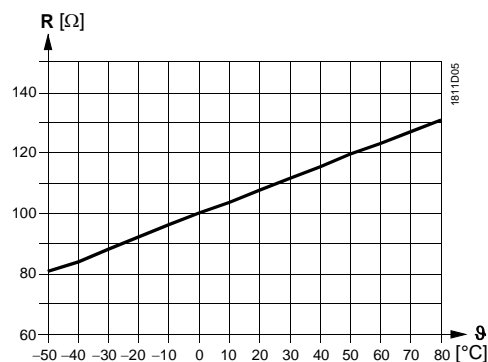


Accuracy:

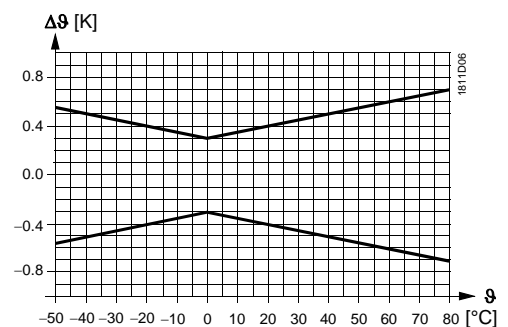


Pt 100 (class B)

Characteristic:

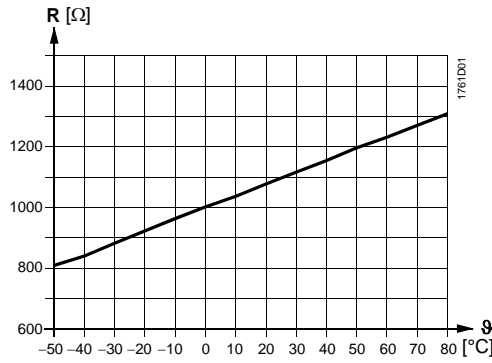


Accuracy:

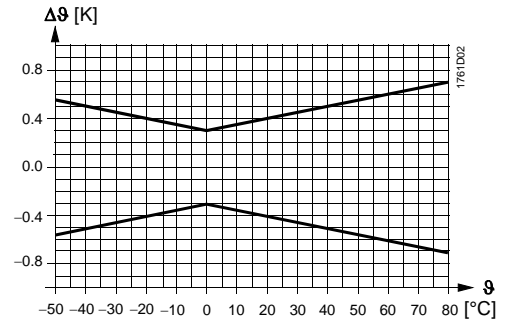


Pt 1000 (class B)

Characteristic:

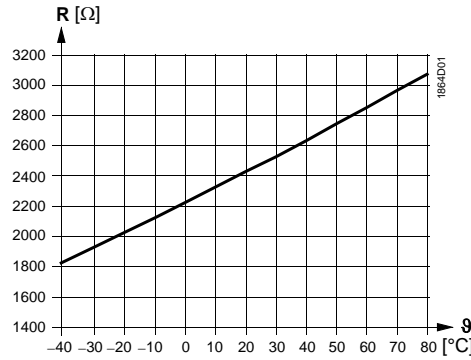


Accuracy:

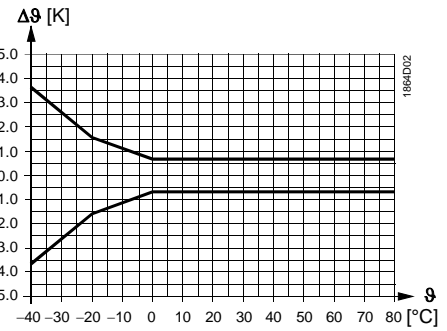


T1 (PTC)

Characteristic:

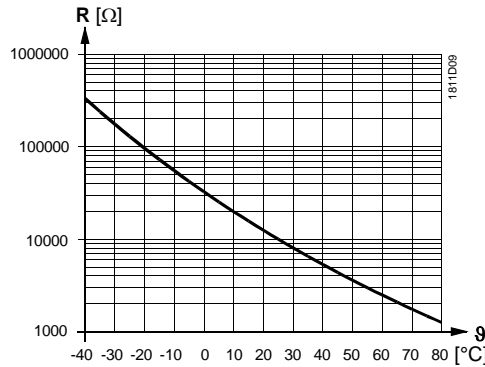


Accuracy:

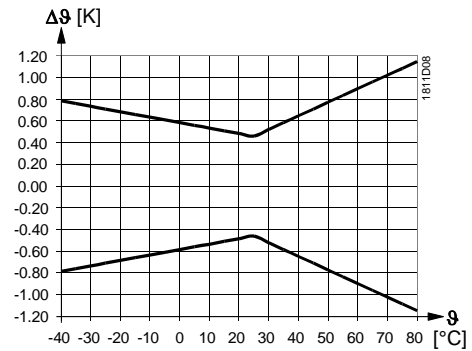


NTC 10k

Characteristic:



Accuracy:



Legend

R Resistance value in Ohm  
 $\theta$  Temperature in degrees Celsius  
 $\Delta\theta$  Temperature differential in Kelvin

## Mechanical design

The duct temperature sensor consists of the following components:

- Two-sectional plastic housing comprised of base with connection terminals and removable cover (snap-on design)
- Fully active, flexible probe with sensing element which acquires the average temperature

The connection terminals can be accessed after removing the cover. Cable entry is made via a grommet which, if required, can be replaced by a cable entry gland M16 (IP 54).

After fitting the mounting flange, the sensor can be installed in 6 different immersion positions so that the sensor housing is always located outside the insulation for layers up to 70 mm. The probe with a length of 2 or 6 m is to be fitted across the air duct with the help of the mounting clamps supplied with the sensor.

## Mounting notes

- Mounting location
- *For supply air temperature control:* Downstream from the fan, if the fan is located after the last air handling unit. Otherwise, after the last air handling unit with a minimum distance of 0.5 m
  - *For extract air temperature control:* Always upstream of the extract air fan
  - *As a limit sensor for the supply air temperature:* As close as possible to the air outlet into the room
  - *For dew point control:* Immediately after the spray trap of the air washer

Manually bend the probe so that it lies diagonally across the duct or in equally spaced windings across the entire duct cross-section. The probe must not touch the duct wall. The sensor is supplied complete with Mounting Instructions.

## Mounting positions

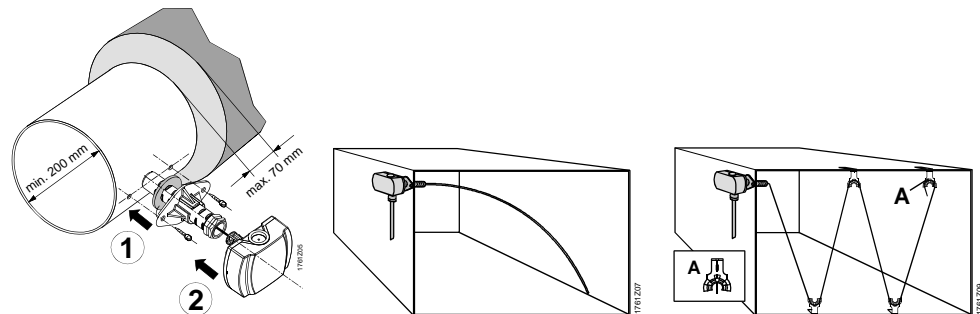
*permitted:*



*not permitted:*



## Mounting examples



## Technical data

Functional data	Operating range	-40...+80 °C for NTC type -50...+80 °C other types
	Sensing element	refer to "Type summary"
	Probe	
	Length	refer to "Type summary"
	Min. bending radius	10 mm
	Time constant	30 s at 2 m/s
	Dead time	< 1 s
Protective data	Measuring accuracy	refer to "Function"
	Protection standard of housing	IP 42 to IEC 529
	With cable entry gland M 16 x 1.5	IP 54 to IEC 529 (not included as standard)
Electrical connections	Safety class	III to EN 60 730 (only with SELV or PELV)
	Screw terminals for	1 x 2.5 mm <sup>2</sup> or 2 x 1.5 mm <sup>2</sup>
	Cable entry	
	Grommet	for 5.5...7.2 mm dia. cable
	Cable entry gland	M 16 x 1.5 can be fitted
Environmental conditions	Perm. cable lengths	refer to Data Sheet of the relevant controller
	Operation	to IEC 721-3-3
	Climatic conditions	class 3K5
	Temperature (housing)	-40...+70 °C
	Humidity (housing)	5...95 % r. h.
	Transport	to IEC 721-3-2
	Climatic conditions	class 2K3
Temperature	-25...+70 °C	
Humidity	<95 % r. h.	
Mechanical conditions	class 2M2	

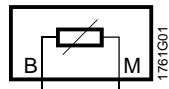
Materials and colors

Probe	copper, polyolefine
Base	polycarbonate, RAL 7001 (silver-grey)
Cover	polycarbonate, RAL 7035 (light-grey)
Mounting flange	PA 66 (black)
Clamps	PA-GF 35 (black)
Packaging	corrugated cardboard

Weight

Incl. packaging		
QAM2110.040		ca. 0,15 kg
QAM2112.040		ca. 0,15 kg
QAM2112.200		ca. 0,3 kg
QAM2120.040		ca. 0,15 kg
QAM2120.200		ca. 0,30 kg
QAM2120.600		ca. 0,53 kg
QAM2130.040		ca. 0,15 kg
QAM2140.020		ca. 0,15 kg

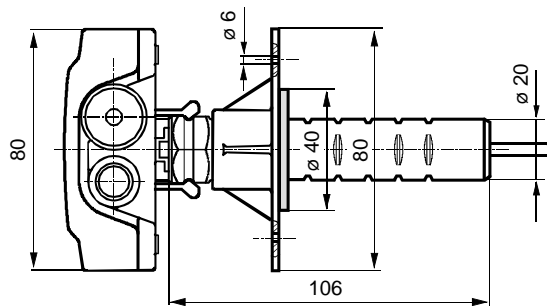
Internal diagram



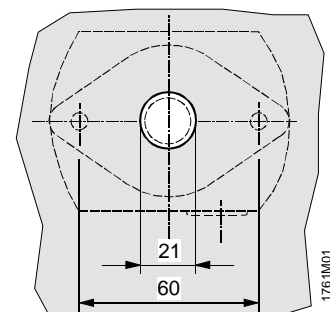
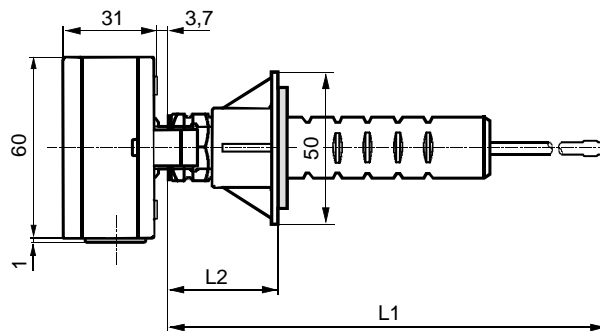
The internal diagram is identical for all types of duct temperature sensors covered by this Data Sheet.

The connecting wires are interchangeable.

Dimensions



Typ	L1	L2	
		max.	min.
QAM2140.020	200	97	37
QAM2130.040	400	97	37
QAM2110.040	400	97	37
QAM2120.040	400	97	37
QAM2112.040	400	97	37
QAM2112.200	2000	97	37
QAM2120.200	2000	97	37
QAM2120.600	6000	97	37



Drilling plan

Dimensions in mm

