

Home

Installation instructions HREL1 pump relay

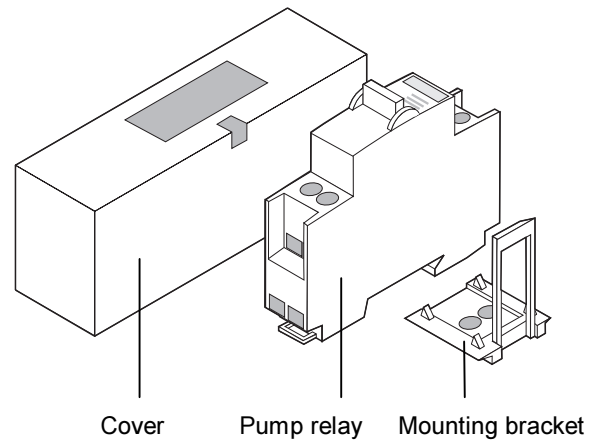


Fig. 1: Components of the pump relay

Wiring

Connect up the control voltage and the switching current:

- **Control voltage (24 V AC):**
to terminals A1/A2 of the relay and to terminals 24/25 of the unit controller
- **Switching current (16A at 250 V or 10A at 380 V):**
to terminals 1 and 2 of the relay

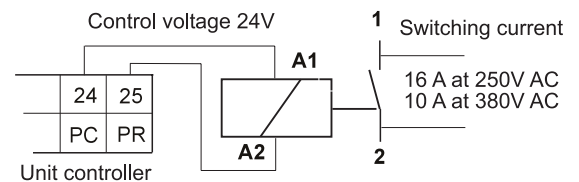


Fig. 2: Wiring up the pump relay

Note:

Press the button on the pump relay to close the relay contact manually. In this way you can see if the pump is working.

Installation

The pump relay and its cover have the following dimensions:

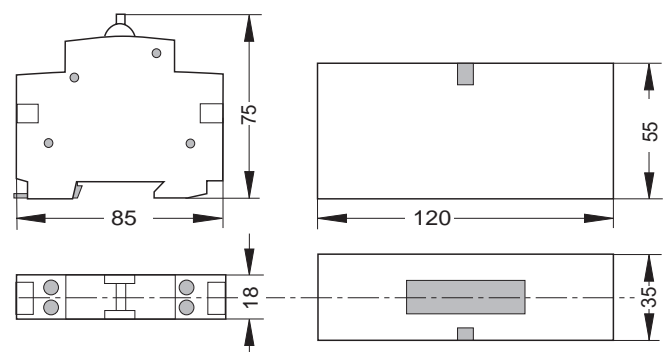
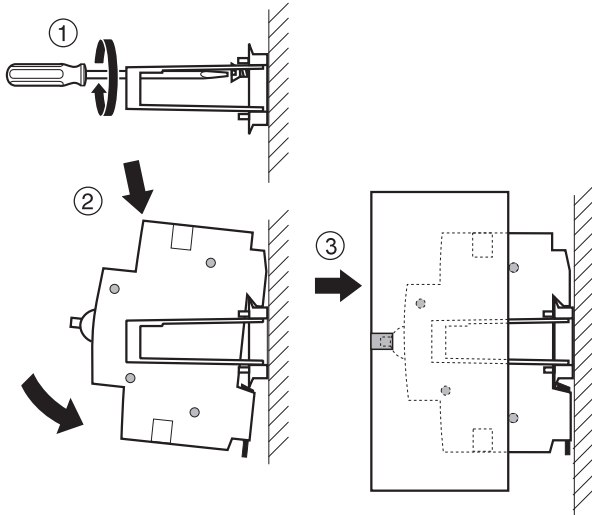


Fig. 3: Dimensions

There are two ways of mounting the pump relay:

- **Wall mounting:**

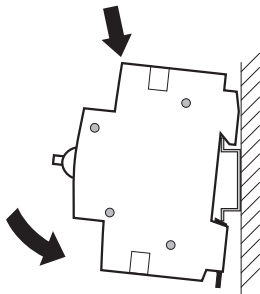
1. Screw the mounting bracket to the wall.
2. Position the top of the relay against the top of the mounting bracket and let the snap-in closure engage at the bottom.
3. Fit the cover and click it into place.
If the cover will not engage, it may be that you have it upside down.



To remove the cover once it has latched in place, insert the tip of a small screwdriver or similar into the recess on the side and press.

- **DIN rail mounting:**

- Position the top of the relay against the DIN rail and let the snap-in closure engage at the bottom.



Removal

- To remove the relay from the mounting bracket or from the DIN rail, pull the black tab on the underside of the relay downwards and remove the relay.

Please direct questions or suggestions you may have to the following address:

Centra Regelungstechnik

Honeywell AG
Böblinger Strasse 17
71101 Schönaich
Telephone: (49) 7031 63701
<http://europe.hbc.honeywell.com>

Subject to change without notice. Printed in Germany

Manufacturing location certified to **DIN EN ISO 9001**

EN1H-108 GE51R0199