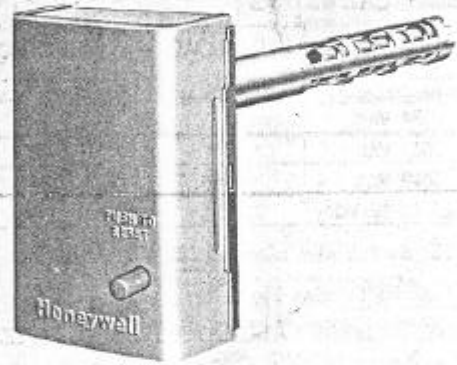


Honeywell

THE L4064K IS A MANUAL-RESET FAN SAFETY CUTOFF SWITCH USED IN ALL TYPES OF HEATING, VENTILATING, AND AIR CONDITIONING SYSTEMS TO SHUT DOWN FAN OPERATION WHENEVER DUCT TEMPERATURE RISES TO A POINT THAT INDICATES THE PRESENCE OF A FIRE. THE L4064K MOUNTS ON THE SYSTEM MAIN RETURN DUCT, AHEAD OF THE FRESH AIR INTAKE. FOLLOWING A SAFETY SHUTDOWN, THE L4064K MUST BE MANUALLY RESET BEFORE THE FAN CAN RESUME OPERATION.

- Adjustable temperature cutoff range.
- Controller locks out to prevent premature return of fan operation.
- Metal case with removable cover.

AIRSTAT FAN SAFETY CUTOFF CONTROLLER



L4064K

FORM NUMBER **95C-10.287**
RESIDENTIAL DW.

INSTALLATION

WHEN INSTALLING THIS PRODUCT...

1. Read these instructions carefully. Failure to follow them could damage the product or cause a hazardous condition.
2. Check the ratings given in the instructions and on the product to make sure the product is suitable for your application.
3. Installer must be a trained, experienced service technician.
4. After installation is complete, check out product operation as provided in these instructions.

CAUTION

1. Disconnect power supply before beginning installation to prevent electrical shock and equipment damage.
2. When connecting cable or conduit to control, avoid strain on the control case.
3. DO NOT EXCEED the ratings and limitations given in this section. Follow furnace or burner manufacturer's instructions, if available.

LOCATION

The L4064K control should be located in the return air duct ahead of the fresh air intake where the element will be in the direct path of return air. If the L4064K is to be a replacement, mount it in the same location as the control it replaces.

MOUNTING

The L4064K control may be mounted on either a vertical or sloping surface. If surface is vertical, the control may be mounted either flush or stand-off using a rigid bracket (10724 Flange and 12950 Screw). On sloping surfaces, to assure that the control element will be level, use either the rigid bracket (bent at the proper angle) or a 32612A Swivel Bracket.

The procedure for mounting the control is given in the following paragraphs.

VERTICAL SURFACE MOUNTING

1. Cut a $\frac{7}{8}$ in. [22.2 mm] hole in duct wall at control location.
2. Mark mounting holes on duct. (For flush mounting, mark mounting hole locations using rear of controller case as a template. For stand-off mounting, use rigid bracket as template.)
3. Drill or punch mounting holes.
4. For flush mounting, fasten with screws through mounting holes on rear of controller (Fig. 2).
5. If rigid bracket is used, first fasten bracket to duct, then insert element and tighten setscrew (Fig. 3).

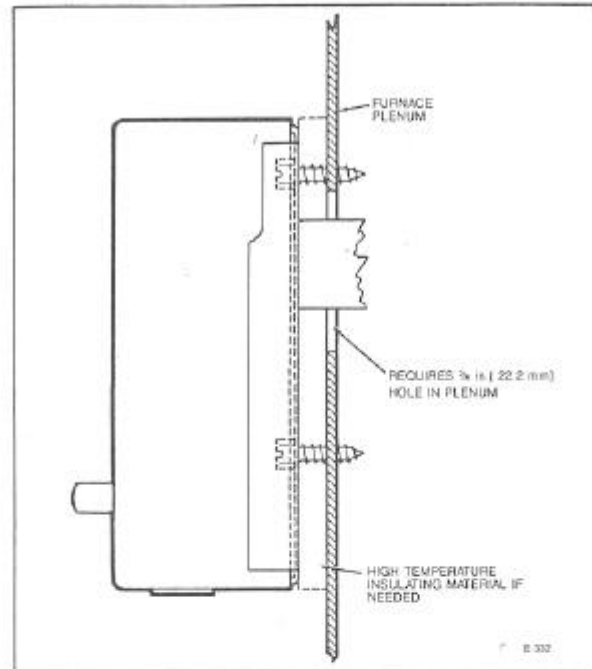


FIG. 2 — FLUSH MOUNTING ON VERTICAL SURFACE.

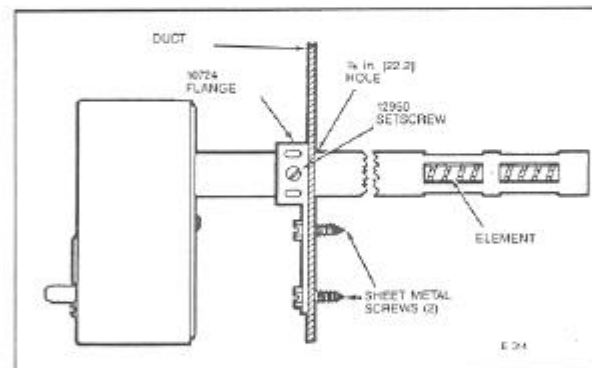


FIG. 3 — STAND-OFF MOUNTING ON VERTICAL SURFACE.

SLOPING SURFACE MOUNTING

1. Cut a $\frac{7}{8}$ in. [22.2 mm] hole in duct at control location.
2. To assure level element when control is mounted, bend rigid bracket as shown in Fig. 4 and mount as shown in Fig. 5. A swivel bracket (Fig. 6) can be used where rigid bracket is not appropriate.

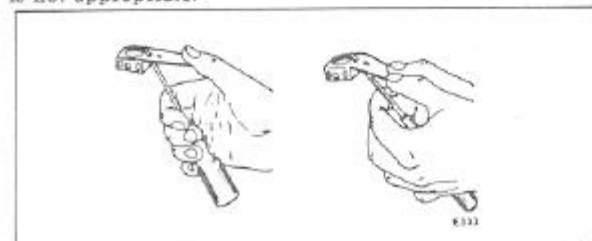


FIG. 4 — BENDING RIGID BRACKET FOR SLOPING SURFACE MOUNTING.

SPECIFICATIONS

IMPORTANT

THE SPECIFICATIONS GIVEN IN THIS PUBLICATION DO NOT INCLUDE NORMAL MANUFACTURING TOLERANCES. THEREFORE, THIS UNIT MAY NOT MATCH THE LISTED SPECIFICATIONS EXACTLY. ALSO, THIS PRODUCT IS TESTED AND CALIBRATED UNDER CLOSELY CONTROLLED CONDITIONS, AND SOME MINOR DIFFERENCES IN PERFORMANCE CAN BE EXPECTED IF THOSE CONDITIONS ARE CHANGED.

MODEL: L4064K Airstat Fan Safety Cutoff Controller.

TEMPERATURE SETTING RANGE: 50 F to 165 F [10 C to 74 C]; adjustment lever behind cover.

AMBIENT OPERATING TEMPERATURE: 32 F to 190 F [0 C to 88 C] maximum at switch; 350 F [177 C] maximum at sensing element.

SWITCHING: Spst switch breaks automatically on temperature rise to set point, requires manual reset to remake switch. Switch contacts rated for both line and low voltage.

ELEMENT: Helical bimetal, 11½ in. [292 mm] maximum insertion length.

MOUNTING MEANS: Rigid bracket, swivel bracket, or surface mount.

ELECTRICAL RATING

VOLTAGE	FULL LOAD (A)	LOCKED ROTOR (A)
24 Vac	2	—
120 Vac	8	48
240 Vac	4	24
0.25 to 12 Vdc	0.25	—

NOTE: Switch also rated at 125 VA at 480 Vac.

DIMENSIONS: See Fig. 1.

UNDERWRITERS LABORATORIES INC. LISTED:
File No. — MP3387

FINISH: Gray.

ACCESSORIES:

- 10724 Flange (rigid bracket) and 12950 Screw.
- 32612A Swivel Bracket.

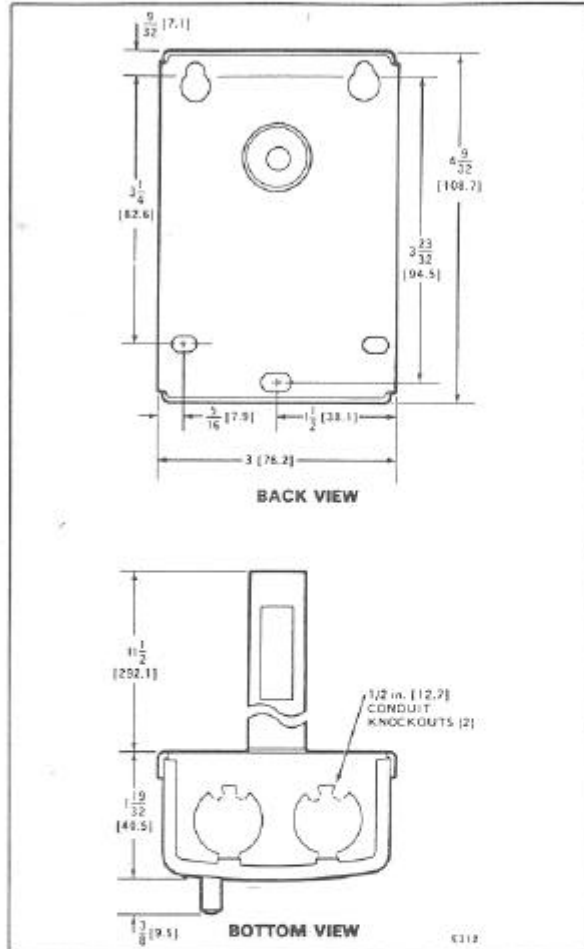


FIG. 1 — L4064K MOUNTING DIMENSIONS IN in. [mm IN BRACKETS].

ORDERING INFORMATION

WHEN PURCHASING REPLACEMENT AND MODERNIZATION PRODUCTS FROM YOUR TRADELINE WHOLESALE OR YOUR DISTRIBUTOR, REFER TO THE TRADELINE CATALOG OR PRICE SHEETS FOR COMPLETE ORDERING NUMBER, OR SPECIFY —

1. Order number.
2. Accessories, if desired.
3. Order additional system components and system accessories separately.

IF YOU HAVE ADDITIONAL QUESTIONS, NEED FURTHER INFORMATION, OR WOULD LIKE TO COMMENT ON OUR PRODUCTS OR SERVICES, PLEASE WRITE OR PHONE:

1. YOUR LOCAL HONEYWELL RESIDENTIAL GROUP SALES OFFICE (CHECK WHITE PAGES OF PHONE DIRECTORY).
2. RESIDENTIAL GROUP CUSTOMER SERVICE
HONEYWELL LIMITED, 740 ELLESMERE ROAD, SCARBOROUGH CANADA M1P 2V9
(IN UNITED STATES — HONEYWELL INC. 1885 DOUGLAS DRIVE NORTH, MINNEAPOLIS, MINNESOTA 55422
INTERNATIONAL SALES AND SERVICE OFFICES IN ALL PRINCIPAL CITIES OF THE WORLD.

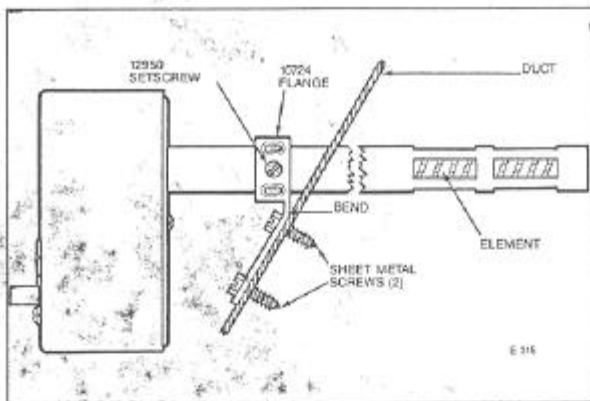


FIG. 5 — RIGID BRACKET MOUNTING ON SLOPING SURFACE.

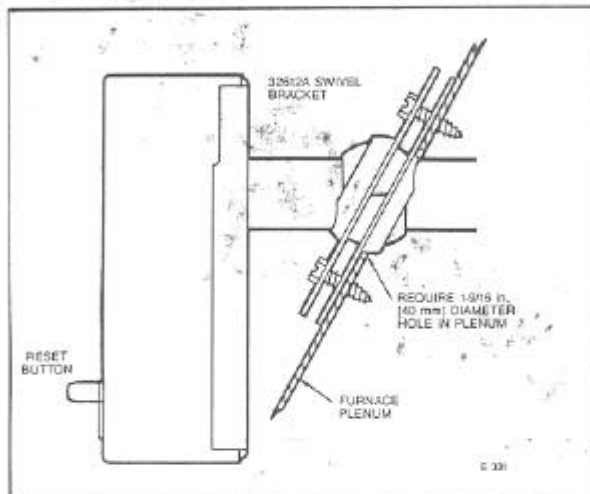


FIG. 6 — SWIVEL BRACKET MOUNTING ON SLOPING SURFACE.

WIRING

Disconnect power supply before beginning installation to prevent electrical shock and equipment damage. All wiring must comply with local electrical codes and ordinances.

Remove L4064K cover by pressing sides and pulling outward. Remove knockout in bottom of case for 1/2 in. conduit. Connect the L4064K (limit side) in series with the line voltage or low voltage fan control circuit as shown in Fig. 7.

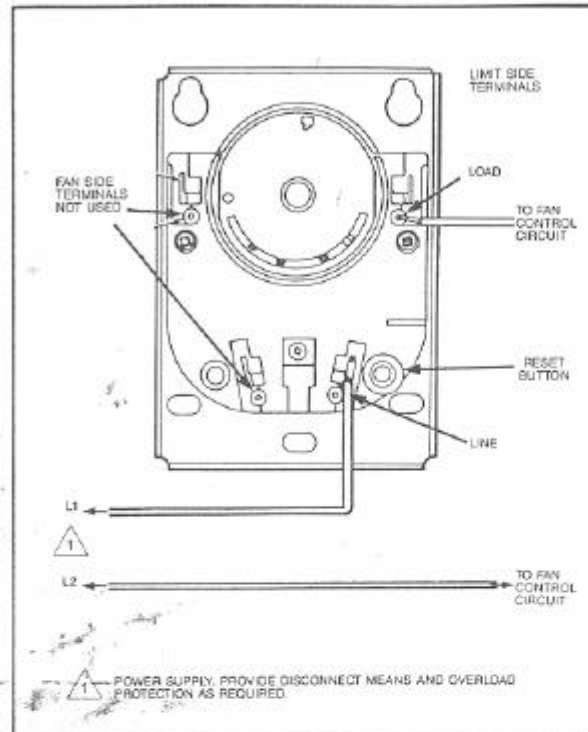


FIG. 7 — WIRING OF L4064K IN LINE OR LOW VOLTAGE FAN CONTROL CIRCUIT.

SETTINGS AND ADJUSTMENTS

SETTING FAN CUTOFF TEMPERATURE

CAUTION

When adjusting the fan limit setting lever, hold the dial stationary to avoid straining the sensing element.

Adjust limit lever to desired fan cutoff temperature. High side of lever indicates setting.

CHECKOUT

When installation is complete, use the following procedure to verify that the L4064K is properly wired into the system.

1. Turn on the power supply and start the system.
2. With the fan in operation, adjust the limit setting to a

temperature lower than the duct temperature. Make sure that the L4064K shuts off the fan.

3. Before leaving the job, restore the correct control setting, press the reset button, and verify that the fan restarts and continues to run.

PRINTED IN CANADA

This material is proprietary to Honeywell Limited and shall not be reproduced, copied or used in any manner without prior written consent of Honeywell Limited.

Honeywell SCARBOROUGH, ONT. M1P 2V9 INTERNATIONAL Sales Offices in all principal cities of the world. Manufacturing in Australia, Canada, Finland, France, Germany, Japan, Mexico, Netherlands, Spain, Taiwan, United Kingdom, U.S.A.