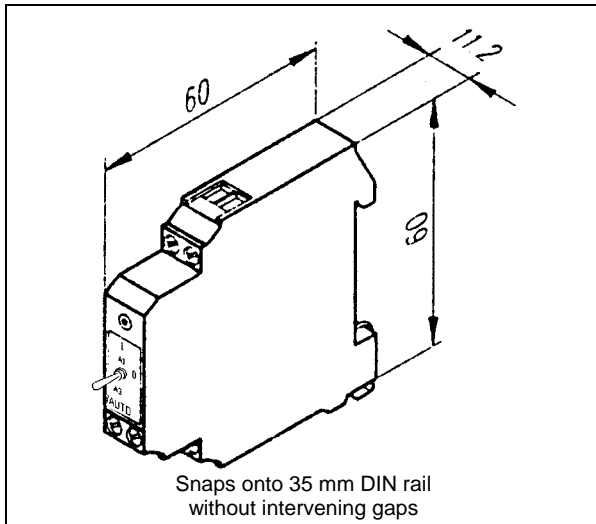


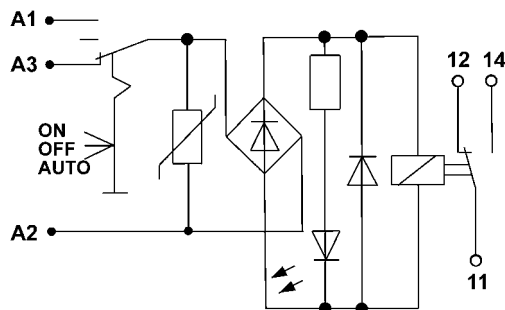
## MCE 2

### External Output Relay 1 Relay with manual override switch

#### PRODUCT DATA



Switching diagramm and connection terminals



A1	A2
11	A3
12	14

Connection diagram

#### Technical data

##### Input Circuit

Nominal voltage / Power consumption	24 V AC/DC 13 mA
Nominal voltage tolerance	± 10%
Switch protection	input varistor
Operational display	LED
Energise / De-energise time	10 ms / 5 ms

##### Output circuit

Output contact	1 changeover relay
Contact material	AgCdO
Switching Voltage	max. 250V AC/DC
Switching current	max. 8 A
Constant current	max. 6 A
Breaking capacity (resistive load)	max. 24 V DC / 150 W 50 V DC / 25 W 230 V DC / 50 W 230 V AC / 1500 VA

Minimum switching capacity 24 V DC / 20 mA

Mechanical loading  $2 \times 10^7$  switching operations

Electrical loading  $10^5$  switching operations at max. load

Switching frequency max. 600 switching operations per hour at max. current

##### General data

Isulation in accordance with VDE 0110/01.89

rated voltage 250 V over voltage category III pollution level 3

Test voltage coil / contact 2 kV 50 Hz 1 min.

Protection in accordance with DIN 40050

housing IP 50, terminals IP 20

Permissible ambient temperature

- 20 ... + 55° C

Wire size

2,5 mm<sup>2</sup>

Mounting position

optional

Weight

approx. 0.045 kg