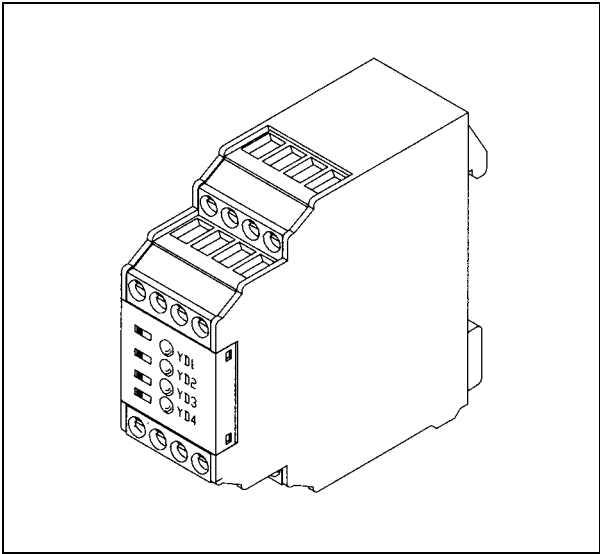


## MCM 1

### Status Display Module 4 inputs with dual color LED display

#### Product Data



#### Operation

The status display module indicates the status of up to four external contacts. The display logic for each input can be set by a sliding switch. LED display (red or green) shows the current status of the switch. Suitable for DIN rail mounting in control panels.

Switch to adapt the LED display logic:

Switch position (YD1 ... YD4) for "normally closed" external contacts.



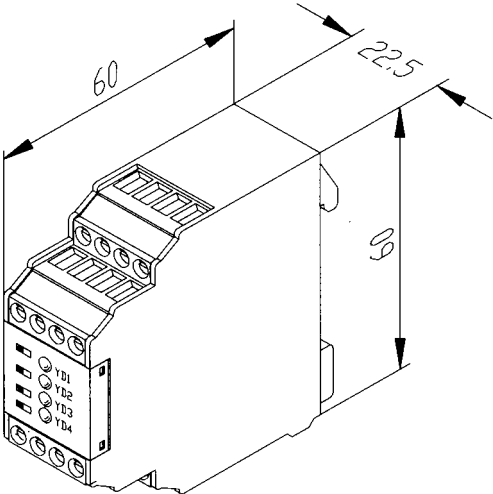
Switch position (YD1 ... YD4) for "normally open" external contacts.



#### Technical Data

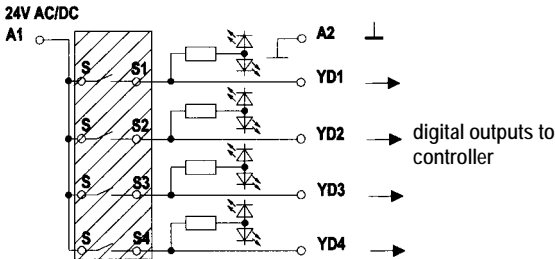
Operating voltage	24V AC / DC
Operating voltage range	0,8 ... 1,2 U <sub>N</sub>
Power consumption	40 mA AC / DC at 24 V
Switch protection	inputs protected against reverse polarity connection
Humidity class	F (DIN 40040)
Input impedance	22 kΩ

#### Dimensions



Dimensions in millimeters

#### Electrical Connections



external potential free contacts (NC/NO)