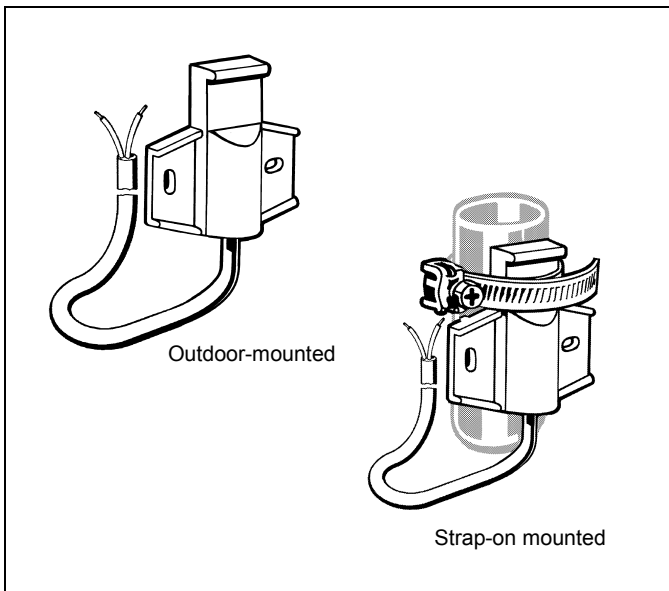


T7414C STRAP-ON/OUTDOOR TEMPERATURE SENSOR

PRODUCT DATA



FEATURES

- Pt1000 / NTC20 temperature sensing element
- Small size
- Easy mounting
- Fully capsuled housing

SPECIFICATIONS

Ambient Limits

Operating temperature	
-Strap-on	-30...+110 °C (-22...+230 °F)
-Outdoor	-30...+70 °C (-22...+158 °F)
Transport and storage temperature	-30...+70 °C (-22...+158 °F)
Humidity	5...95 %rh, non condensing

Safety

Protection standard	IP65 in acc. with EN60529
Flame retardant housing	V1 in acc. with UL94

Housing

Plastic

Dimensions

See page 2

Weight

60 g

Mounting

Pipe and wall

Cable Length

approx. 1 m

Temperature Sensor

Sensing element	Pt1000 NTC20 kΩ
-----------------	--------------------

Sensing range

-Strap-on	-30...+110 °C (-22...+230 °F)
-Outdoor	-30...+70 °C (-22...+158 °F)

Response time

-Strap-on Pt1000	$\tau_{0.5} \approx 36$ s
-Strap-on NTC20	$\tau_{0.5} \approx 45$ s
-Outdoor Pt1000	$\tau_{0.5} \approx 240$ s
-Outdoor NTC20	$\tau_{0.5} \approx 300$ s

Sensitivity

-Pt1000	$\approx 3.85 \Omega / K$
-NTC20kΩ	20 kΩm at 25 °C nonlinear

Accuracy

-Pt1000	DIN IEC751 Class B $\Delta T/K = 0.3 + 0.005 \cdot t$ (t = °C) ±1 %
-NTC20kΩ	

Resistance

-Pt1000	1000 Ω @ 0 °C
-NTC20kΩ	20 kΩ @ 25 °C

GENERAL

The Strap-on Temperature Sensor is used to detect the supply or return water flow temperature on the pipe work.

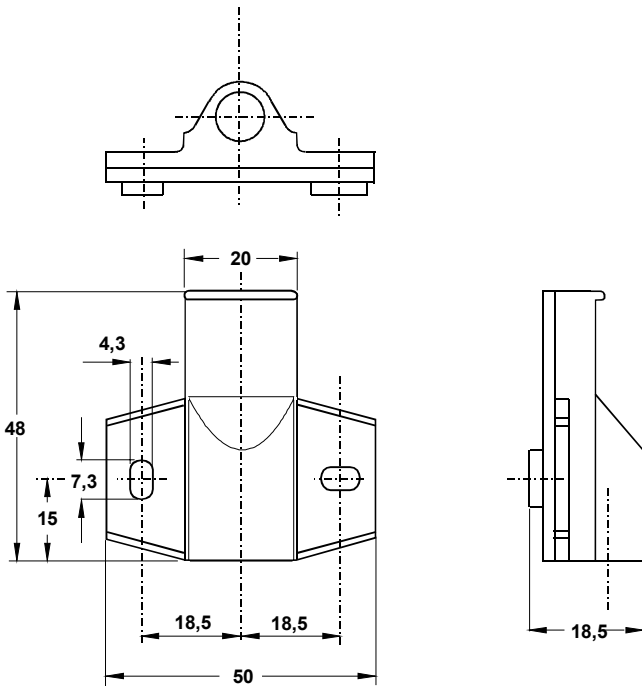
The Outdoor Air Temperature Sensor is used in heating, ventilating and air conditioning systems to detect the outside temperature for reset of the main setpoint in weather dependent control systems.

Models

OS-No.	Type/Sensing Element	Mounting with
T7414C1004	Strap-on / outdoor / Pt1000	clamp band / screws
T7414C1012	Strap-on / outdoor / NTC20	clamp band / screws

DIMENSIONS

Dimensions in mm



Fasten the sensor with the two supplied screws at the selected place on the wall as shown in Fig. 1.

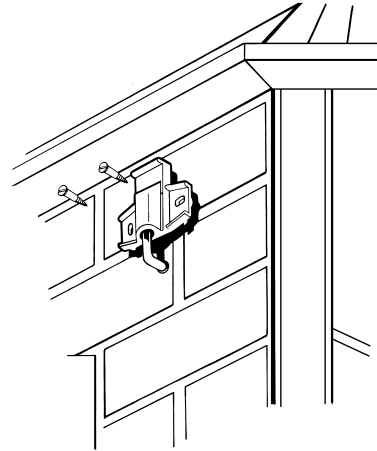


Fig. 1. T7414C outdoor-mounted

MOUNTING AND INSTALLATION ADVICES

Outdoor

The outdoor air temperature sensor should be mounted on the wall of buildings having windows of the main occupancy rooms or on the coldest side (N-NW side).

It should not be affected by direct sunshine and be mounted on an open facade so that it can detect all weather conditions.

The mounting height should be 2/3 up the wall on up to three-storeyed buildings or between the second or third floor on taller buildings.

Avoid mounting the sensor above windows, doors, air extractors or other heat sources, under a balcony, the eave of the roof or in a wall niche.

The cable conduit through the wall has to be sealed to prevent measurement errors by warm air circulation.

Strap-on

The strap-on temperature sensor consists of a sensor housing and a clamp band with an adjustable lock for mounting on pipes up to a diameter of 28mm.

The sensor is equipped with a 1m long two lead connecting cable.

The strap-on sensor must be mounted onto the water pipe with the clamp band at a minimum distance of 1.5m from the mixing valve. Avoid mounting the sensor near heat sources, otherwise its measurement can be influenced by warm air circulation. Fasten the sensor as shown in Fig. 2.

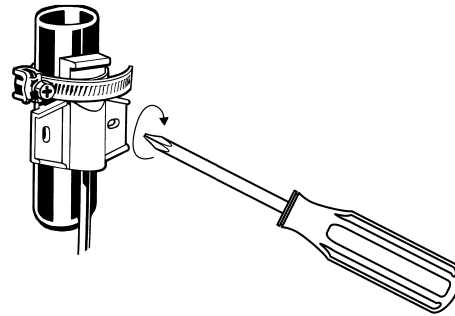


Fig. 2. T7414C strap-on-mounted

Honeywell

Home and Building Control Products

Honeywell AG
 Böblinger Straße 17
 D-71101 Schönaich
 Phone: (49) 7031 63701
 Fax: (49) 7031 637493
<http://europe.hbc.honeywell.com>

Subject to change without notice. Printed in Germany.

EN0B-1004 GE02 R0101
 7157352

Manufacturing location certified to

**DIN EN ISO
 9001/14001**